

INDUSTRIAL COMPUTING



DIGITAL SIGNAGE



SERVER-BASED
COMPUTING

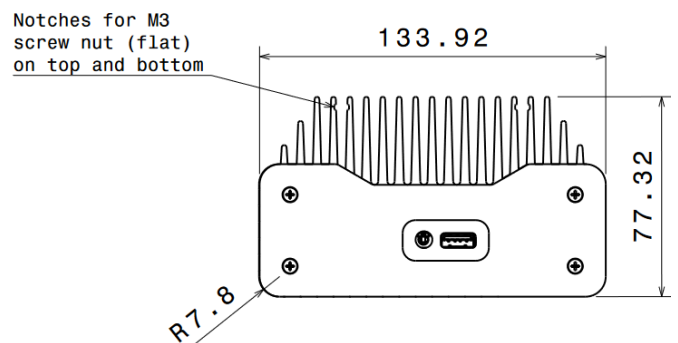
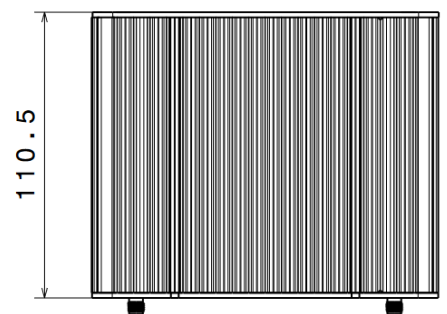


Fanless IS1150



- Powerful Core i or Ryzen CPU configuration
- Fanless, silent, maintenance-free operation
- Displayport + HDMI: up to four Displays

Fanless IS1150_EXT is a very versatile Ultra-Small-Form-Factor – yet powerful - Embedded Box PC / IPC utilizing all modern interfaces such as USB 3.2 gen 2 and HDMI 2.0a



Factsheet

Physical properties

Chassis	Full-metal aluminium construction, black anodized
Dimensions	134x110.5x77 mm (WxDxH)
Cooling	Passive
Mounting options*	Mounting threads (slot nuts), DIN-rail, VESA
Weight	1,4 kg

Hardware

Formfactor	eNUC SBC
CPU	AMD Ryzen 3 5300U, 4x 3.8GHz AMD Ryzen 5 5600U, 6x 4.2GHz AMD Ryzen 7 5800U, 8x 4.4GHz Intel Core i3 1115G4, 2x 4.1GHz Intel Core i7 1165G7, 4x 4.7GHz
RAM	4, 8, 16 GB DDR4
Storage	60GB – 1TB m.2
Graphics	Intel HD, 4x 4k@60Hz

Communication

WLAN*	802.11 b/g/n/ac + Bluetooth
LTE*	-
Others	-

I/O

I/O front	1x RS232/422/485, 2x USB 3.2 (gen2) type C / DP alt. mode, 1x USB 3.2 (gen.2) type A, 1x Audio (Mic-In/Line-Out)
I/O back	2x USB 3.2 (gen2), 1x HDMI, 1x DP, 2x RJ (GLAN), 1x DC-In
I/O internal**	2x USB 2.0, 1x m.2 2230

Power supply

PSU	60W external adapter
Power input	12..19V DC-In
Redundancy	-
Power draw	Idle: ~8W, full-load: ~20W

Compatibility

OS	Windows 10 / 11 (IoT), Linux
Others	

Environment

Operating temp. range / Humidity	0..40°C / 10...95%, non-condensing
Protection class	IP60

Compliance

Conformity	CE, RoHS, REACH
------------	-----------------

General

Scope of delivery	IPC, documentation, PSU, certificate of conformity, rubber feet
Language	EN, DE
Long-term-availability	-
Warranty	3 years, 4/5 years*
Country of Origin	Germany
Tariff code	84715000